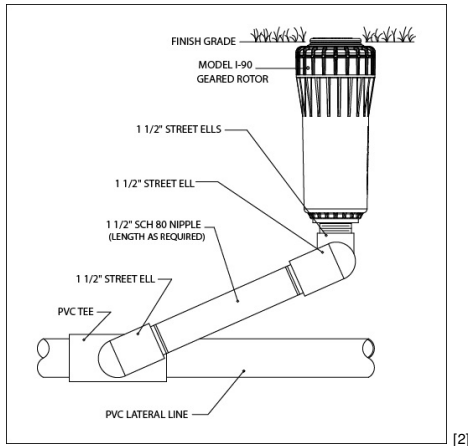


Products: [I-90](#) [1]

Topics: Installation Procedures

Hunter provides installation details in DWG, DXF and PDF format. Click on the images to see a larger graphic of the installation detail.

I-90 with Swing Joint



[2]

Resources



[3] [I-90 INSTALLATION DETAILS - DWG](#)



[6] [I-90 INSTALLATION DETAILS - DXF](#)



[7] [I-90 INSTALLATION DETAILS - PDF](#)

Rate this Article:

[3] ☆☆☆☆☆
No votes yet

Related Links

Source URL (retrieved on **02/01/2015 - 16:28**): <http://www.hunterindustries.com/support/i-90-rotary-sprinkler-installation-detail>

Links:

- [1] <http://www.hunterindustries.com/irrigation-product/rotors/i-90>
- [2] http://www.hunterindustries.com/sites/default/files/ts_i-90_cswing.gif
- [3] <http://www.hunter-poliv.ru/sites/default/files/I-90ImperialDWG.zip>
- [4] <http://www.hunter-poliv.ru/sites/default/files/I-90MetricDWG.zip>
- [5] <http://www.hunterindustries.com/global>
- [6] <http://www.hunterindustries.com/sites/default/files/I-90ImperialDXF.zip>
- [7] <http://www.hunterindustries.com/sites/default/files/I-90ImperialPDF.zip>
- [8] <http://www.hunterindustries.com/sites/default/files/I-90MetricPDF.zip>