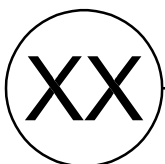
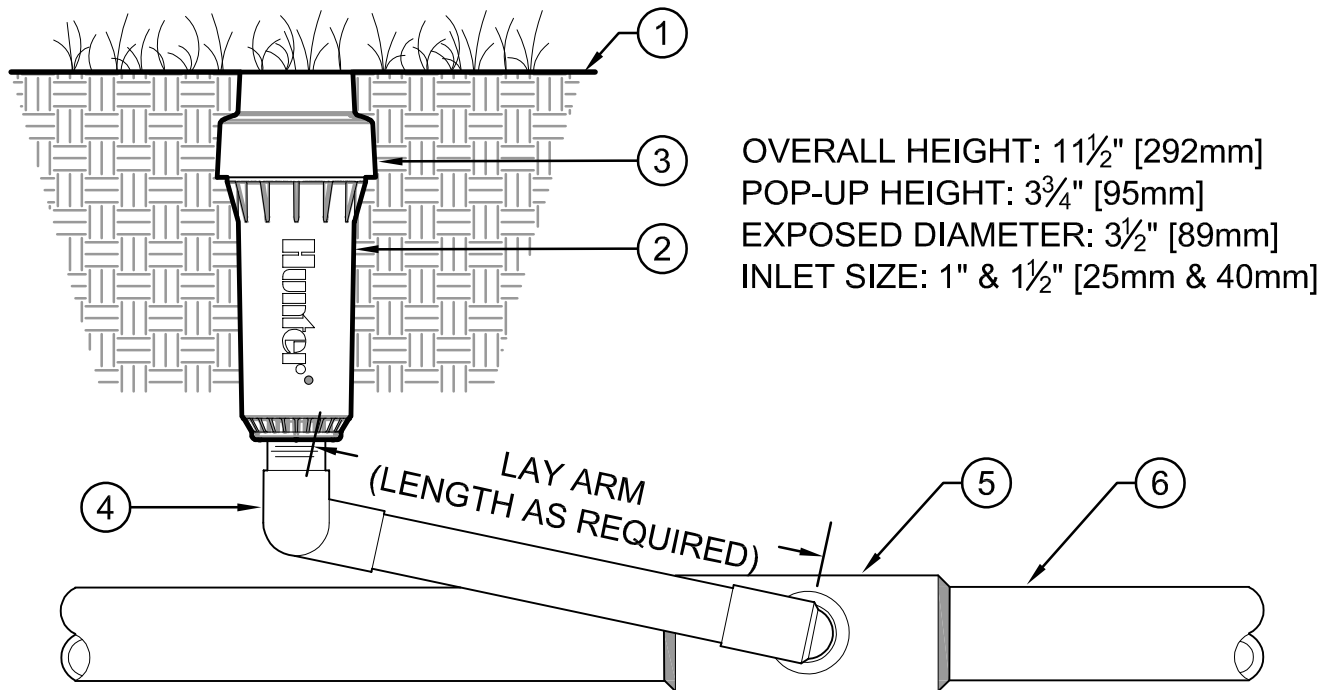


DETAIL LEGEND:

- ① FINISH GRADE
- ② I80-04-SS-TC TURF CUP, ADJUSTABLE ARC
 I80-04-SS-ON-TC TURF CUP, OPPOSING NOZZLE FULL CIRCLE
- ③ FACTORY-INSTALLED TURF CUP OR TURF CUP KIT - P/N 959400
- ④ SWING JOINT ASSEMBLY: HUNTER HSJ SERIES,
 1" (25MM) MODELS: HSJ-1-32-212 OR HSJ-1-65-212
 1½" (40MM) MODELS: HSJ-3-32-212 OR HSJ-3-65-212
 (REFER TO HUNTER CATALOG FOR OPTIONS).
 INSTALL AS FOLLOWS:
 - A. HAND TIGHTEN O-RING JOINTS, BACK-OFF ONE FULL TURN TO ALLOW FOR SWING ACTION.
 - B. INSTALL SWING JOINT LAY ARM AT 30°- 45° ANGLE TO THE LATERAL.
- ⑤ LATERAL TEE OR ELL CONNECTION PER LATERAL LINE FITTING SPECIFICATIONS.
- ⑥ LATERAL PIPE PER LATERAL LINE SPECIFICATIONS. SOIL DEPTH AS SPECIFIED.



I-80 POP-UP ROTOR WITH TURF CUP