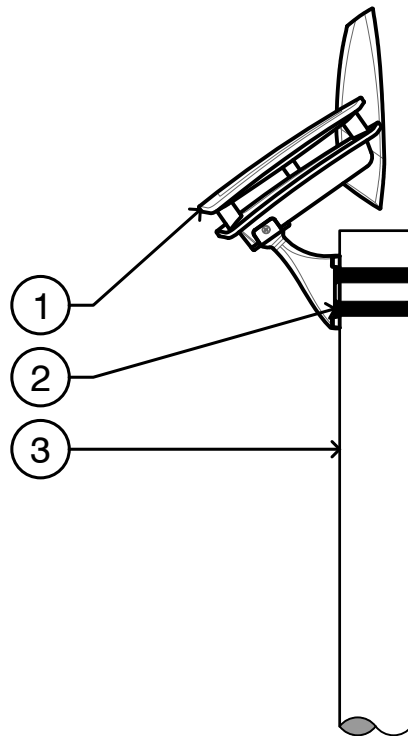


### LEGEND

- ① HUNTER WIRELESS SOLAR REPEATER (RPT)
- ② 5/16" STAINLESS STEEL BAND CLAMPS BY OTHERS (2)
- ③ POLE PER PLAN



### NOTES

1. ONE REPEATER PER CONTROLLER.
2. LOCATE REPEATER AWAY FROM TREES AND OBSTACLES, ALIGN SOLAR PANEL FOR MAXIMUM SUN EXPOSURE.
3. ROTATE ANTENNA TO THE VERTICAL POSITION; ANTENNA MAY BE INSTALLED IN THE UP OR DOWN POSITION.
4. REFER TO THE HUNTER INSTALLATION GUIDE FOR FURTHER INSTRUCTIONS.

00

## WIRELESS SOLAR REPEATER: POLE MOUNT

N.T.S.

C-WVL-RPT-02 | [www.hunterindustries.com](http://www.hunterindustries.com) | 