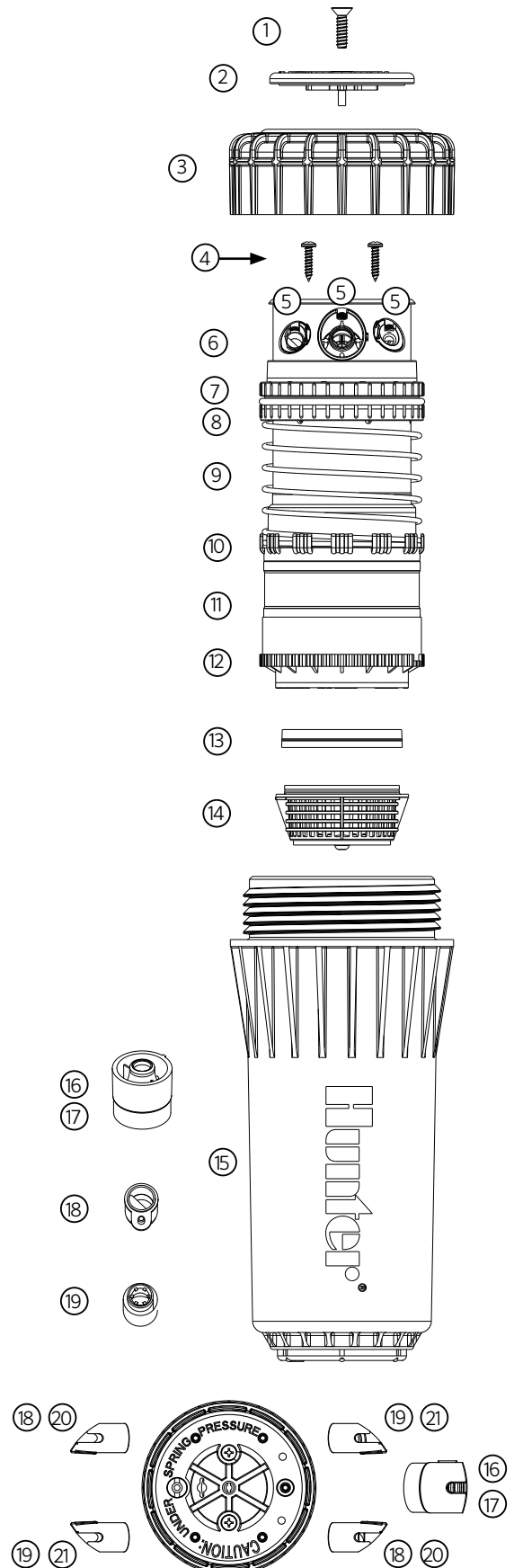


I-90: Gear-Driven Rotor

Item	Description	Catalog No.	Price		
①	Rubber Cover Screw (1 Required)	351800	\$0.75		
②	Rubber Cover Assembly	ADV (Black)	529000	\$8.00	
		36V (Black)	528900	\$8.00	
		ARV (Purple)	529005	\$9.00	
		3RV (Purple)	528905	\$9.00	
③	Body Cap Assembly	525000	\$18.00		
④	Retainer Cap Screws (2 Required)	334000	\$0.75		
⑤	Nozzle Retainer Screw (5 Required, not shown)	333900	\$0.50		
⑥	Retainer Cap (6/11 and after) - All	197200	\$5.00		
⑦	Seal Block*	171710*	\$6.50		
⑧	O-Ring Seal*	171600*	\$3.00		
⑨	Retraction Spring*	171900*	\$16.00		
⑩	Face Seal - Black*	406000*	\$2.50		
⑪	Bumper - Gray*	171800*	\$4.00		
⑫	Riser Assembly (Includes #4-11)	ADV, ARV	525500	\$180.00	
		36V, 3RV	525400	\$180.00	
⑬	Stator Adjustment Plate	052833	\$1.05		
⑭	Screen Assembly	525200	\$12.00		
⑮	Body	NPT	525100	\$25.00	
		BSP	525105	\$25.00	
⑯	Nozzle Pack (1 Ea 25, 33, 38, 43, 48, 53, 63, 73)	461204SP	\$35.00		
⑰	Primary Nozzles (Sold in increments of 10)	#25 - Lt. Blue	460011SP	\$2.00	
		#33 - Gray	464363SP	\$2.00	
		#38 - Red	464364SP	\$2.00	
		#43 - Dk. Brown	464365SP	\$2.00	
		#48 - Dk. Green	464366SP	\$2.00	
		#53 - Dk. Blue	464367SP	\$2.00	
		#63 - Black	464368SP	\$2.00	
		#73 - Orange	460012SP	\$2.00	
		Low-Angle Primary Nozzles (Sold in increments of 10)	#25 - Lt. Blue	791500SP	\$2.00
			#33 - Gray	791600SP	\$2.00
			#38 - Red	791800SP	\$2.00
			#43 - Dk. Brown	791900SP	\$2.00
			#48 - Dk. Green	792000SP	\$2.00
			#53 - Dk. Blue	792100SP	\$2.00
	#63 - Black	792200SP	\$2.00		
	#73 - Orange	792300SP	\$2.00		
⑱	Short Range Nozzle (5/11 and Prior) - All (Left, Black) (Sold in increments of 10)	439100SP	\$2.00		

*Parts 7-11 are required for the new I-90 seal replacement kit

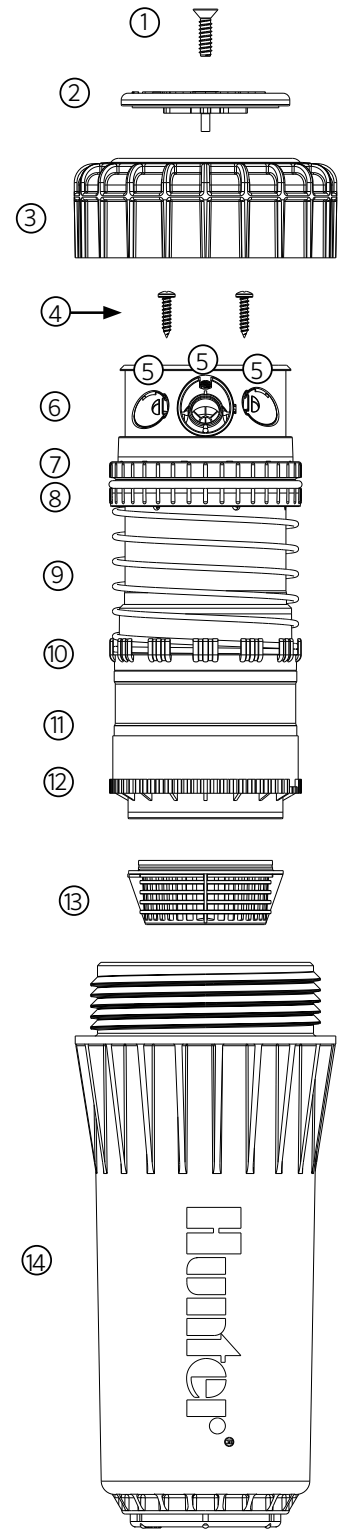
(Parts 19-21 are listed on the next page)



I-90: Gear-Driven Rotor (Cont. from page 15)

(Please refer to the illustration on page 15)

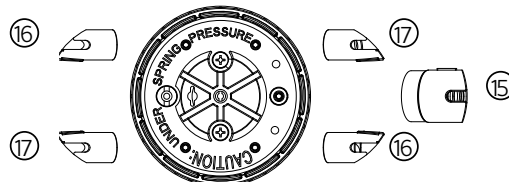
19	Short-Range Nozzle (6/11 and After) (Left, Red) All Models (Sold in increments of 10)		191800SP	\$2.00
	Mid-Range Nozzle (5/11 and Prior) (Sold in increments of 10)	(Right, Green) ADV, ARV	439000SP	\$2.00
		(Right, Blue) 36V, 3RV	455400SP	\$2.00
20	Mid-Range Nozzle (6/11 and After) (Sold in increments of 10)		195701SP	\$2.00
		(Right, Blue) 36V, 3RV	195704SP	\$2.00
21	Nozzle Plug (6/11 and After) (Left, Black) - All (Sold in increments of 10)		195803SP	\$2.00
	Nozzle Plug (6/11 and After) (Right, Black) - All (Sold in increments of 10)		195703SP	\$2.00



ST-90: Gear-Driven Rotor

Item	Description	Catalog No.	Price	
1	Rubber Cover Screw (1 Required)	351800	\$0.75	
2	Rubber Cover Assembly - Green	208900	\$8.00	
3	Body Cap Assembly	525000	\$18.00	
4	Retainer Cap Screws (2 Required)	334000	\$0.75	
5	Nozzle Retainer Screw (5 Required, not shown)	333900	\$0.50	
6	Retainer Cap - All	197200	\$5.00	
7	Seal Block*	171710*	\$6.50	
8	O-Ring Seal*	171600*	\$3.00	
9	Retraction Spring*	171900*	\$16.00	
10	Face Seal - Black*	406000*	\$2.50	
11	Bumper - Gray*	171800*	\$4.00	
12	Riser Assembly (Includes #4 - 13)	517800	\$180.00	
13	Screen Assembly	524600	\$12.00	
14	Body	NPT	525100	\$25.00
		BSP	525105	\$25.00
15	Primary Nozzles (Sold in increments of 10)	#73 - Orange	460012SP	\$2.00
		#83 - Tan	464369SP	\$2.00
16	Nozzle Plug (Left, Green) (Sold in increments of 10)	195802SP	\$2.00	
17	Nozzle Plug (Right, Green) (Sold in increments of 10)	195702SP	\$2.00	

*Parts 7 - 11 are required for the new I-90 seal replacement kit



ST-90: Gear-Driven Sprinkler