



CROQUET COURT

I-35 DESIGN

Hunter Industries  
 1940 Diamond Street  
 San Marcos, California 92078  
 SpecPro Technical Assistance  
 1-800-319-4796  
 www.HunterIndustries.com

SHEET  
 1 OF 1

IRRIGATION LEGEND

- PRODUCT DESCRIPTION**
- HUNTER I-35-06-SS-B-XX, NOZZLE AS SHOWN
  - HUNTER I-35-06-SS-B-XX, NOZZLE AS SHOWN
- NOZZLE PERFORMANCE:**  
 #12 @ 5.0 Bars - 51.2 l/min 16.8m RADIUS
- ⊙ HUNTER ICV/IBV ELECTRIC CONTROL VALVE SIZE AS SHOWN
  - ⊙ HUNTER HQ-44-XX-AW QUICK COUPLER VALVE (OPTIONAL)
  - ⊙ HUNTER IC-600-M SOLID STATE METAL CABINET CONTROLLER
  - ⊙ HUNTER SOLAR-SYNC-SEN ON SITE WEATHER SENSOR
  - ⊙ WATER METER MINIMUM SIZE @ 205 l/min IS 50mm
  - ⊙ BACKFLOW PREVENTER SIZED TO SYSTEM l/min
  - MAINLINE PIPE
  - LATERAL PIPE
  - SLEEVING
  - ⊗ ISOLATION VALVE LINE SIZED
  - ⊙ HUNTER FLOW SENSOR IN LINE SIZED FLOW CLIK TEE "FCT"

IRRIGATION NOTES

1. SPRINKLER LOCATIONS ARE TO SCALE
2. PIPE LOCATIONS ARE DIAGRAMMATIC
3. ALL SPRINKLERS TO BE INSTALLED ON 32mm SCH 80 SWING JOINTS
4. ALL COMPONENTS TO BE INSTALLED AS PER MANUFACTURERS RECOMMENDATIONS
5. MAINLINE DEPTH TO BE NO LESS THAN 460mm
6. LATERAL DEPTH TO BE NO LESS THAN 410mm
7. ELECTRIC CONTROL VALVES TO BE COVERED WITH 12" VALVE BOX
8. LOCATE VALVES/QCV'S OUT OF HIGH TRAFFIC AREAS
9. WIRE SPLICE CONNECTIONS TO BE WATERPROOF
10. QCV TO BE LOCATED IN 10" VALVE BOX
11. ALL SLEEVES TO BE 2X PIPE RUN THROUGH THEM
12. INSTALL ALL COMPONENTS AS PER LOCAL, STATE, FEDERAL CODES
13. REFER TO HUNTER INSTALLATION DETAILS
14. REFER TO HUNTER CATALOG FOR PERFORMANCE SPECIFICATIONS
15. ADD HUNTER "FS" FOR DIRTY WATER VALVE
16. ADD HUNTER "AS" FOR PRESSURE REGULATED VALVE

WATER REQUIREMENT

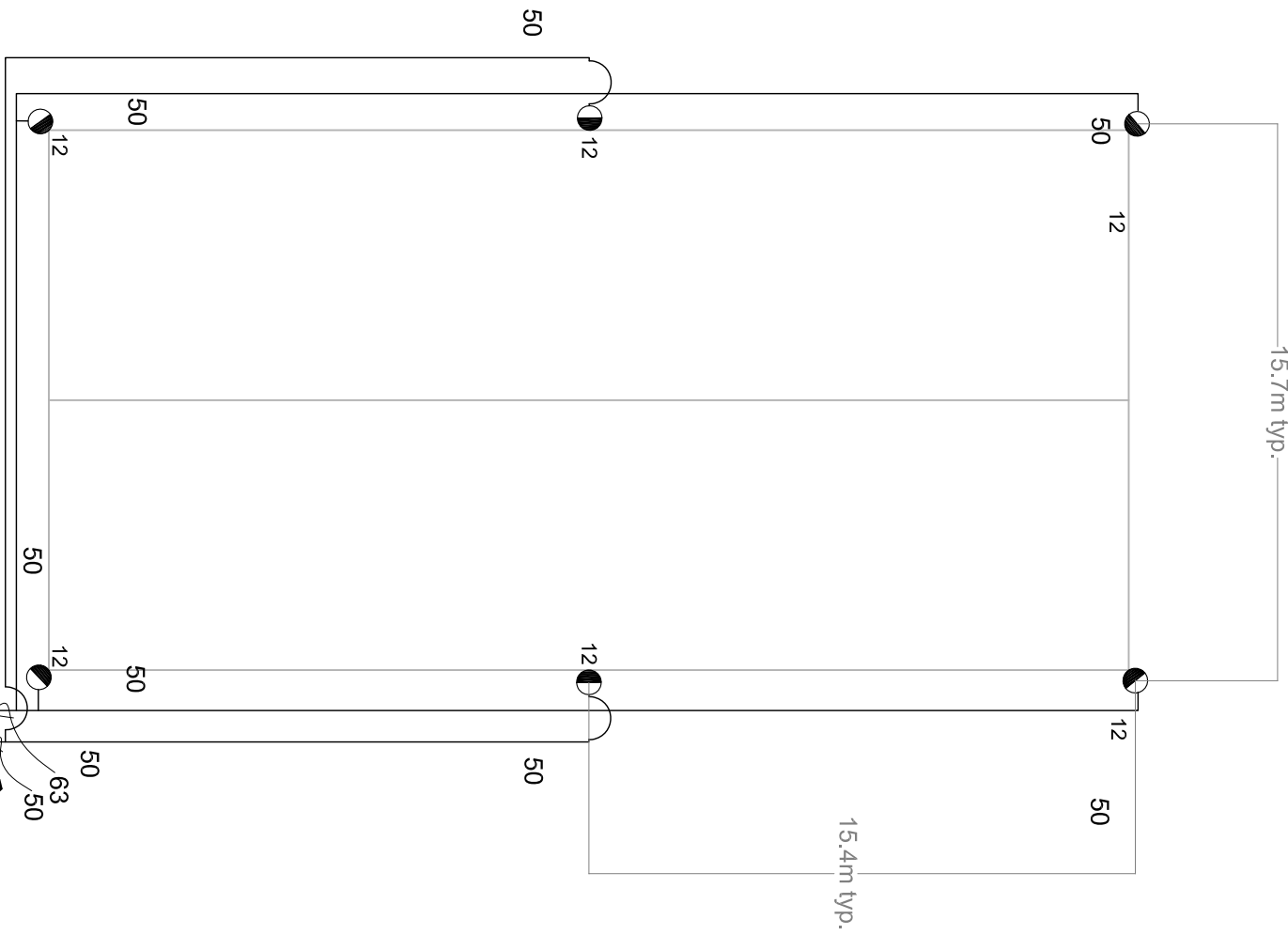
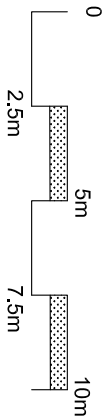
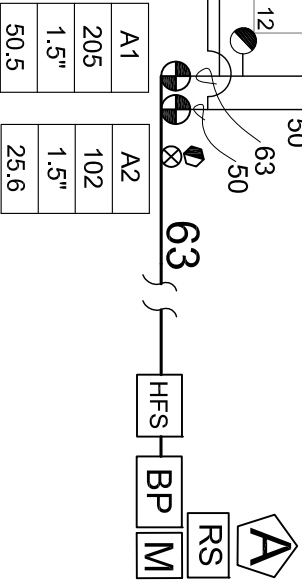
WATER REQUIREMENT AT  
 -FIELD ELEVATION  
 -WITHIN 30m OF FIELD  
 -DOWNSTREAM OF  
 BACKFLOW  
 IS 205 l/min @ 5.56 Bars

SYSTEM PERFORMANCE DATA

ZONE	SIZE	FLOW	PR	DU	SC
		m <sup>3</sup> /hr	mm/hr		inches
A1	1.5"	12.3	205	.83	1.1
A2	1.5"	6.1	102	.83	1.1

VALVE ID GUIDE

A1	STATION NUMBER
273	l/min
1.5"	VALVE SIZE
19.0	PRECIPITATION RATE mm/hr



Hunter Industries offers this plan as a general guide for estimating purposes and offers no indemnity, expressed or implied, for projects installed from this plan. Because of the many variables of every system and of every site we recommend that a qualified irrigation designer be consulted.