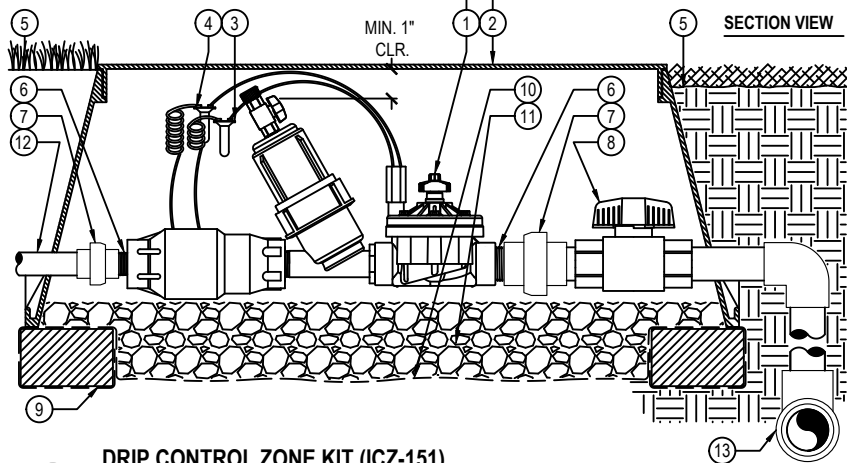


PLAN VIEW



SECTION VIEW

LEGEND

- ① HUNTER REMOTE CONTROL VALVE (ICZ) WITH FILTER REGULATOR
- ② IRRIGATION VALVE BOX: HEAT STAMP LID WITH 'RCV' IN 2" LETTERS
- ③ WATERPROOF CONNECTORS (2)
- ④ 18"-24" COILED WIRE TO CONTROLLER
- ⑤ FINISH GRADE AT ADJACENT SURFACE (TURF OR MULCH)
- ⑥ SCH. 80 CLOSE NIPPLE, MATCH SIZE TO VALVE
- ⑦ PVC SLIP X FPT UNION
- ⑧ ISOLATION VALVE, SIZE AND TYPE PER PLAN
- ⑨ BRICK SUPPORTS (4)
- ⑩ FILTER FABRIC - WRAP TWICE AROUND BRICK SUPPORTS
- ⑪ 3/4" WASHED GRAVEL - 4" MIN. DEPTH
- ⑫ IRRIGATION LATERAL
- ⑬ MAINLINE LATERAL AND FITTINGS

**DRIP CONTROL ZONE KIT (ICZ-151)
WITH UNIONS AND ISOLATION VALVE**



Hunter V.ICZ.12

NOT TO SCALE