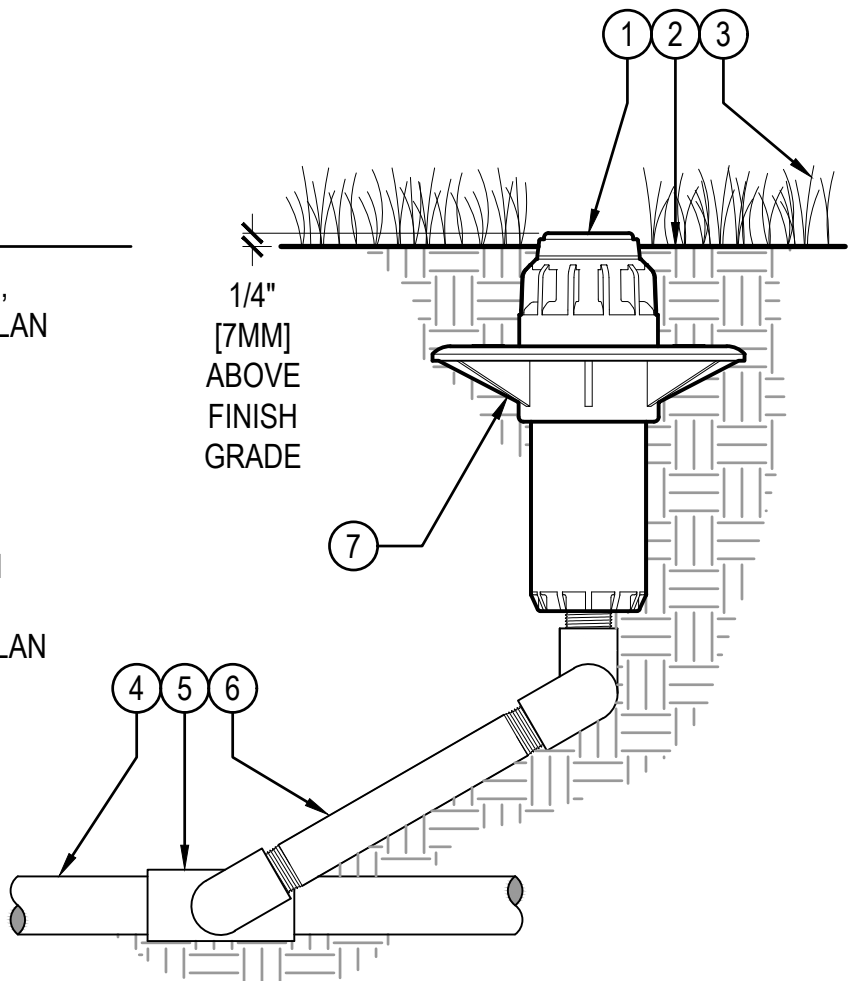


## LEGEND

- ① HUNTER ROTOR (I-25-04),  
NOZZLE AND CAP PER PLAN
- ② FINISHED GRADE
- ③ ADJACENT LANDSCAPE
- ④ LATERAL PIPE PER PLAN
- ⑤ LATERAL FITTING PER PLAN
- ⑥ FIELD-BUILT SWING ARM
- ⑦ STABILIZER FLANGE  
(MODEL #222700)



## POP-UP ROTOR (I-25-04) WITH RIGID SWING ARM AND STABILIZER FLANGE



Hunter® R.I-25.04

NO SCALE