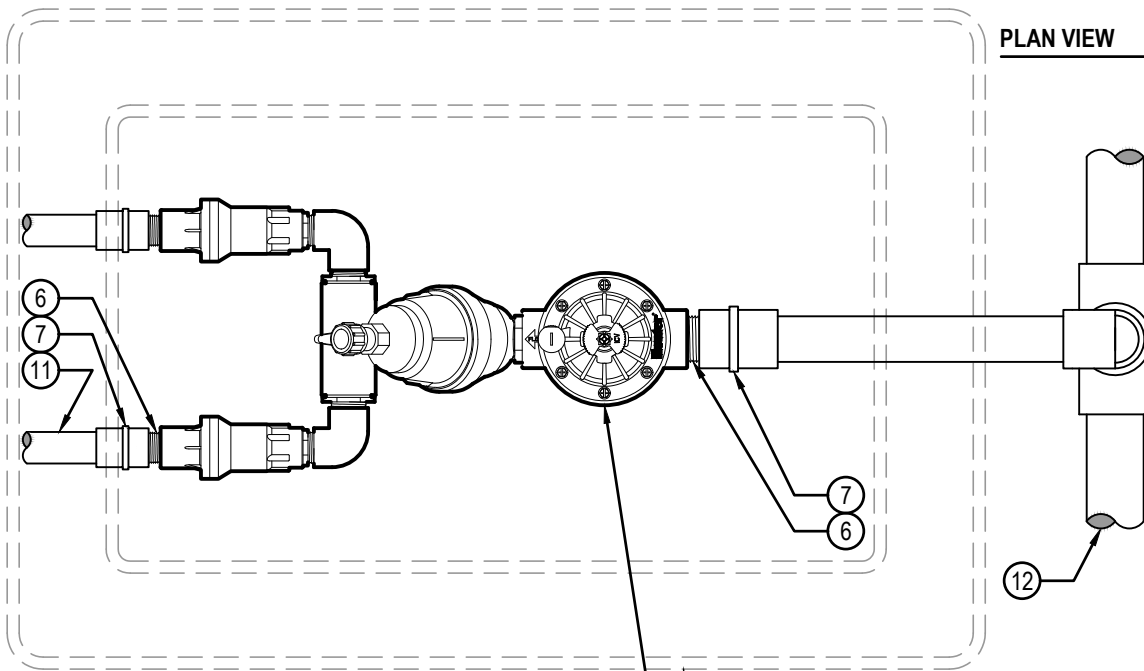
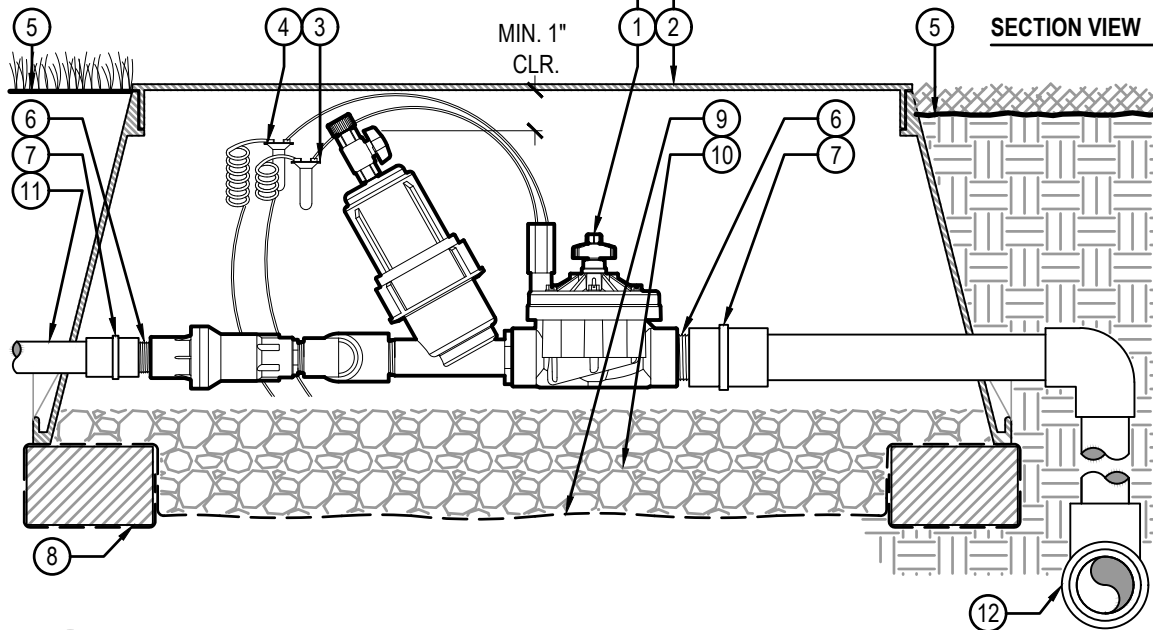


PLAN VIEW



SECTION VIEW



LEGEND

- ① HUNTER REMOTE CONTROL VALVE (ICZ) WITH FILTER REGULATOR
- ② IRRIGATION VALVE BOX: HEAT STAMP LID WITH 'RCV' IN 2" LETTERS
- ③ WATERPROOF CONNECTORS (2)
- ④ 18"-24" COILED WIRE TO CONTROLLER
- ⑤ FINISH GRADE AT ADJACENT SURFACE (TURF OR MULCH)
- ⑥ SCH. 80 CLOSE NIPPLE, MATCH SIZE TO VALVE
- ⑦ PVC ADAPTOR SLIP X FPT
- ⑧ BRICK SUPPORTS (4)
- ⑨ FILTER FABRIC - WRAP TWICE AROUND BRICK SUPPORTS
- ⑩ 3/4" WASHED GRAVEL - 4" MIN. DEPTH
- ⑪ IRRIGATION LATERAL
- ⑫ MAINLINE LATERAL AND FITTINGS



DRIP CONTROL ZONE KIT (ICZ-151)

Hunter® V.ICZ.09

NO SCALE