

HC FLOW METER

 Hydrawise™ Ready

Quick Start Guide

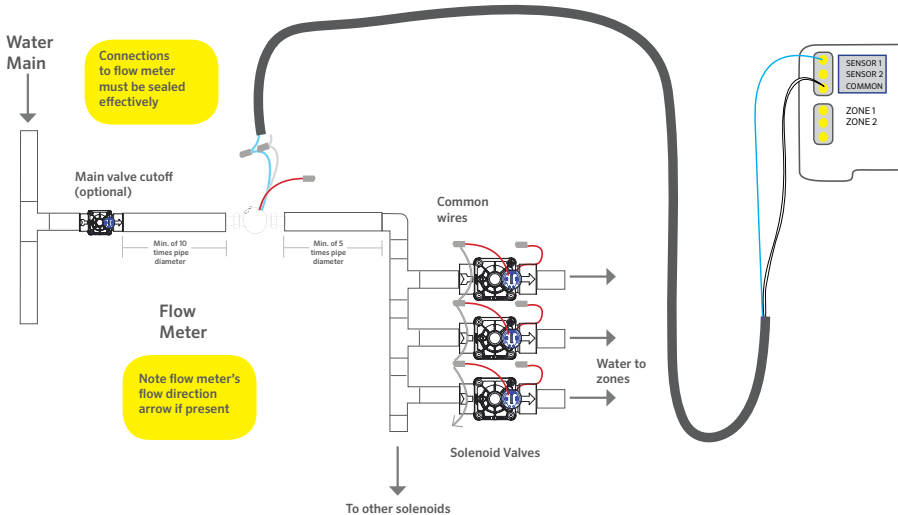


Table Of Contents

HC Flow Meters	4
Planning	5
Installing	6
Configuring	7

HC Support

Thank you for purchasing the Hunter HC Flow Meter. In this Quick Start Guide, you will learn how to install and configure the HC Flow Meter. For support of Hydrawise™ cloud software or help with your Hydrawise account, please visit hunter.direct/hchelp. For specification information, refer to hunter.direct/hcflow.



HC Flow Meters

The flow meter consists of two parts:

1. **Flow meter body:** The flow meter body contains an analog dial for manual readings as follows. Your flow meter will have three wires protruding from the flow meter's body. The wires need to be connected to the sensor inputs on the controller for remote measurement. In all models, only two wires (blue and white) are used.
2. **Adapter:** Each flow meter has an adapter to allow connection to your irrigation system.



Note: The flow meter will read in m³ on the dial. You can change the units in the app to litres (ltr).

DIAL MARKING	MEASUREMENT UNIT
X0.001	1 Litre
X0.01	10 Litres
X0.1	100 Litres
m ³	Kilolitres

Planning

Planning is an important step in the successful installation of your Hunter flow meter and the reliable operation of your irrigation system.

- 3. Flow meter entry location:** Flow meters are installed between the master valve and zone valves. To avoid false alerts, there should be no water taps or other uncontrolled water use on the downstream side of the flow meter. If all solenoids connected to the controller are not grouped together, it may be necessary to install more than one flow meter. The flow meter should be installed with 10 times the pipe diameter before and five times the pipe diameter after the flow meter of straight pipe.
- 4. Cable:** Two-wire cable is required. Two-wire cable is required. The gauge of flow meter cable will be determined by the total length of cable between the controller and the flow meter. For cable lengths greater than 30 m, lightning-prone areas, or cable running near buildings, use shielded cable. The cable should consist of two dedicated wires and must not be in the same conduit or cable bunch as the solenoid wires. Do not share the common wire of the solenoids with the common of the sensors.

Flow Meter Cable Length Chart

WIRE SIZE	MAX LENGTH
mm ²	Metres
0.5	80
1.0	300

Installing

The following instructions assume you have already installed your Hydrawise controller.

1. **Flow meter body:** The flow meter has a marking on the body indicating the direction of water flow. Installation of the flow meter must be in the correct orientation with water flowing in the direction of the arrow on the flow meter body. All HC flow meters must be installed horizontally with the dial facing upwards.
2. **Connect flow meter wire:** Two-wire cable is required. The cable required to connect your flow meter must be dedicated to the flow meter and not shared with the common wire of the valves or other sensors. The gauge of flow meter cable will be determined by the total length of cable between the controller and the flow meter. The general rule is that 0.5 mm (20GA) wire is good for a run of up to 80 metres. Connect the wires to your Hydrawise controller.



Note: All wire connections should be done using waterproof connectors.

WIRE COLOR	SENSOR TERMINAL BLOCK
White	Common
Blue	SEN1 or SEN2
Red	Not used: Wire should be capped with waterproof splice.

Configuring

Configuration of your flow meter is completed using your Hydrowise account.

1. **Log in to your account:** Enter your log-in information.
2. **Create a flow sensor:** It is important that you select the correct flow meter when configuring your Hydrowise app. Choosing the wrong model may cause the Hydrowise controller to measure the wrong water flow.

HC FLOW METER SELECTION CHART FOR THE HYDRAWISE APP

METER SIZE	M ³	M ³ PULSE RATE
20 mm	20 mm flow meter	(1 pulse per 1 litre)
25 mm	25 mm flow meter	(1 pulse per 10 litres)
40 mm	40 mm flow meter	(1 pulse per 10 litres)
50 mm	50 mm flow meter	(1 pulse per 10 litres)

3. **Assign zones to the flow sensor:** Refer to hunter.direct/hc/help for app/software setup information

Troubleshooting

Need more helpful information on your product? Find tips on installation, controller programming, and more.



 hunter.direct/hchelp

Hunter[®]

RESIDENTIAL & COMMERCIAL IRRIGATION | *Built on Innovation*[®]

Learn more. Visit hunterindustries.com