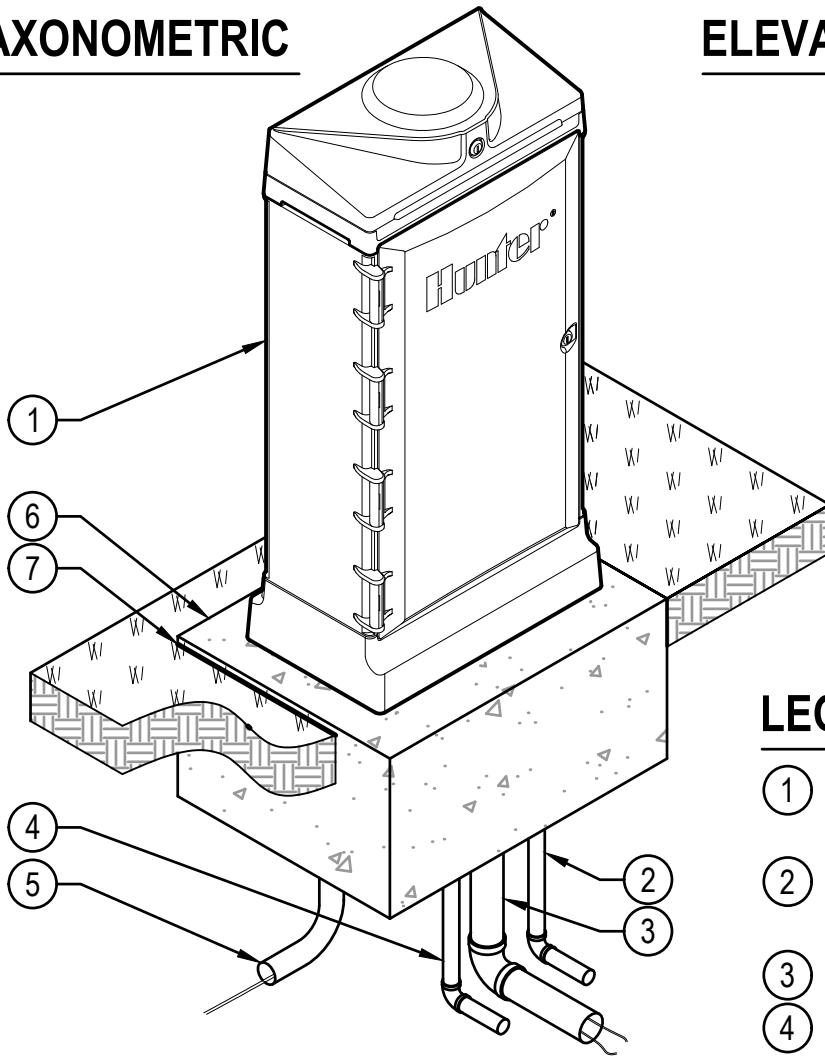
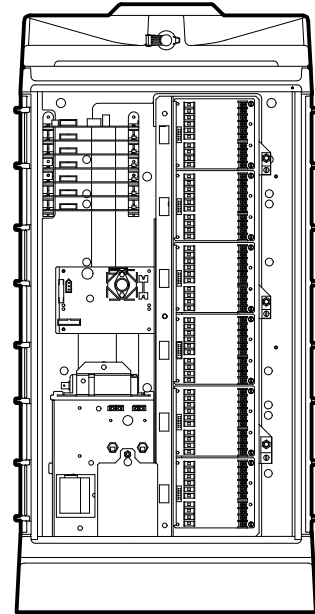


AXONOMETRIC



ELEVATION



LEGEND

- ① HUNTER VSX CONTROLLER, MODEL VFC OR VFCP
- ② CONDUIT FOR COMMUNICATION (GCBL) WIRING
- ③ CONDUIT FOR CONTROL WIRES
- ④ POWER CONDUCTORS IN 3/4" (MINIMUM) CONDUIT. JUNCTION BOX INSIDE CONTROLLER ENCLOSURE. INSTALL PER LOCAL CODES AND REQUIREMENTS.
- ⑤ CONDUIT FOR GROUNDING WIRE: INSTALL PER ASIC GUIDELINES
- ⑥ PEDESTAL BASE, CONCRETE OR PREFABRICATED AS SPECIFIED
- ⑦ ADJACENT FINISH GRADE



VSX PEDESTAL MOUNT FIELD CONTROLLER

Hunter® FC.VSX.01

NO SCALE