

LEGEND:

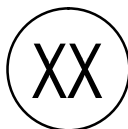
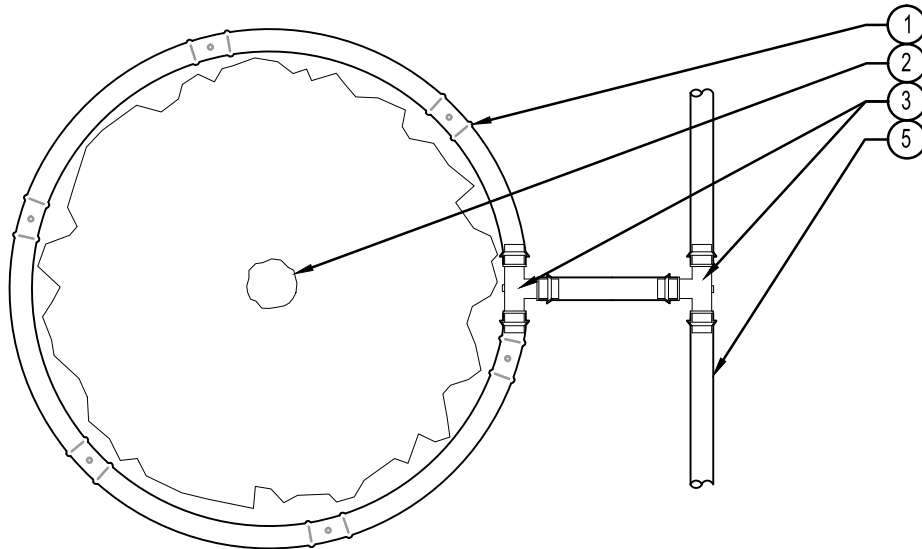
- ① PROFESSIONAL LANDSCAPE DRIPLINE PER PLAN
- ② SHRUB (SEE PLANTING PLAN)
- ③ PLD OR PLD-LOC FITTING TYP.
- ④ BLANK PROFESSIONAL LANDSCAPE DRIPLINE

NOTES

AIR RELIEF VALVE (PLD-AVR) INSTALLED IN VALVE BOX AT OPTIMAL HIGHEST POINT FROM CONTROL ZONE KIT. MULTIPLE AIR RELIEF VALVES MAY BE NEEDED TO ACCOMMODATE DIFFERENCES IN GRADE.

ECO-INDICATOR TO BE INSTALLED AT OPTIMAL FURTHEST POINT FROM CONTROL ZONE KIT IN CLEAR VIEW WHEN POPPED UP.

FLUSH POINT TO BE INSTALLED AT OPTIMAL FURTHEST POINT FROM CONTROL ZONE KIT TO ALLOW FOR MAXIMUM DEBRIS FLUSH IN SYSTEM.



PROFESSIONAL LANDSCAPE DRIPLINE - SHRUB RING

Hunter HM.PLD.12

NOT TO SCALE