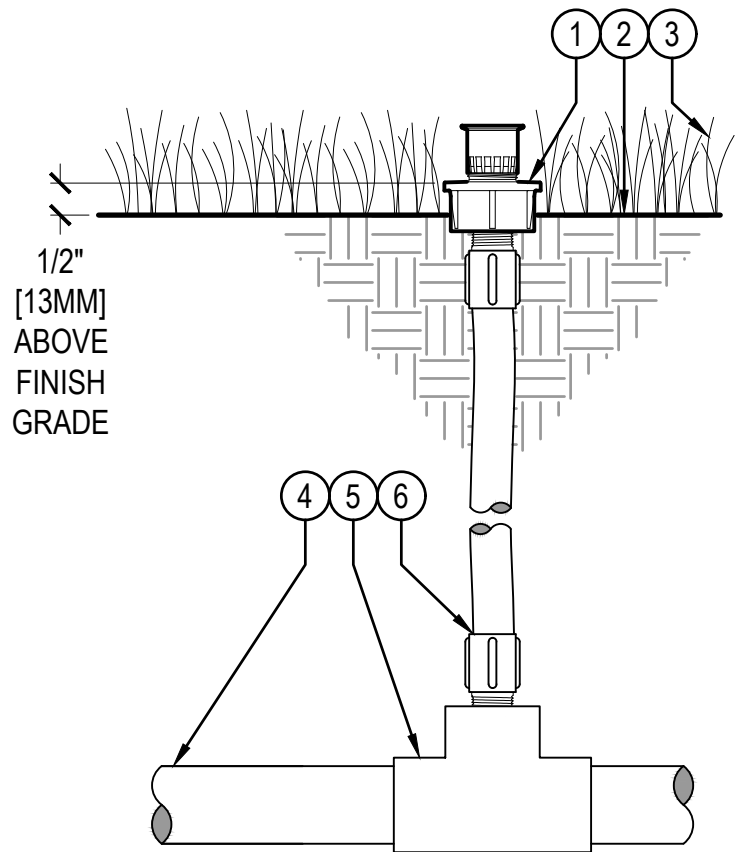


LEGEND

- ① HUNTER SPRAY BODY (PROS-00), NOZZLE PER PLAN
- ② FINISHED GRADE
- ③ ADJACENT LANDSCAPE
- ④ LATERAL PIPE PER PLAN
- ⑤ LATERAL FITTING PER PLAN
- ⑥ PREMANUFACTURED FLEXIBLE PVC SWING ARM (HUNTER IH OR PER PLAN)



SHRUB ADAPTER (PROS-00) WITH IH RISER



Hunter® SB.PRO.13

NO SCALE