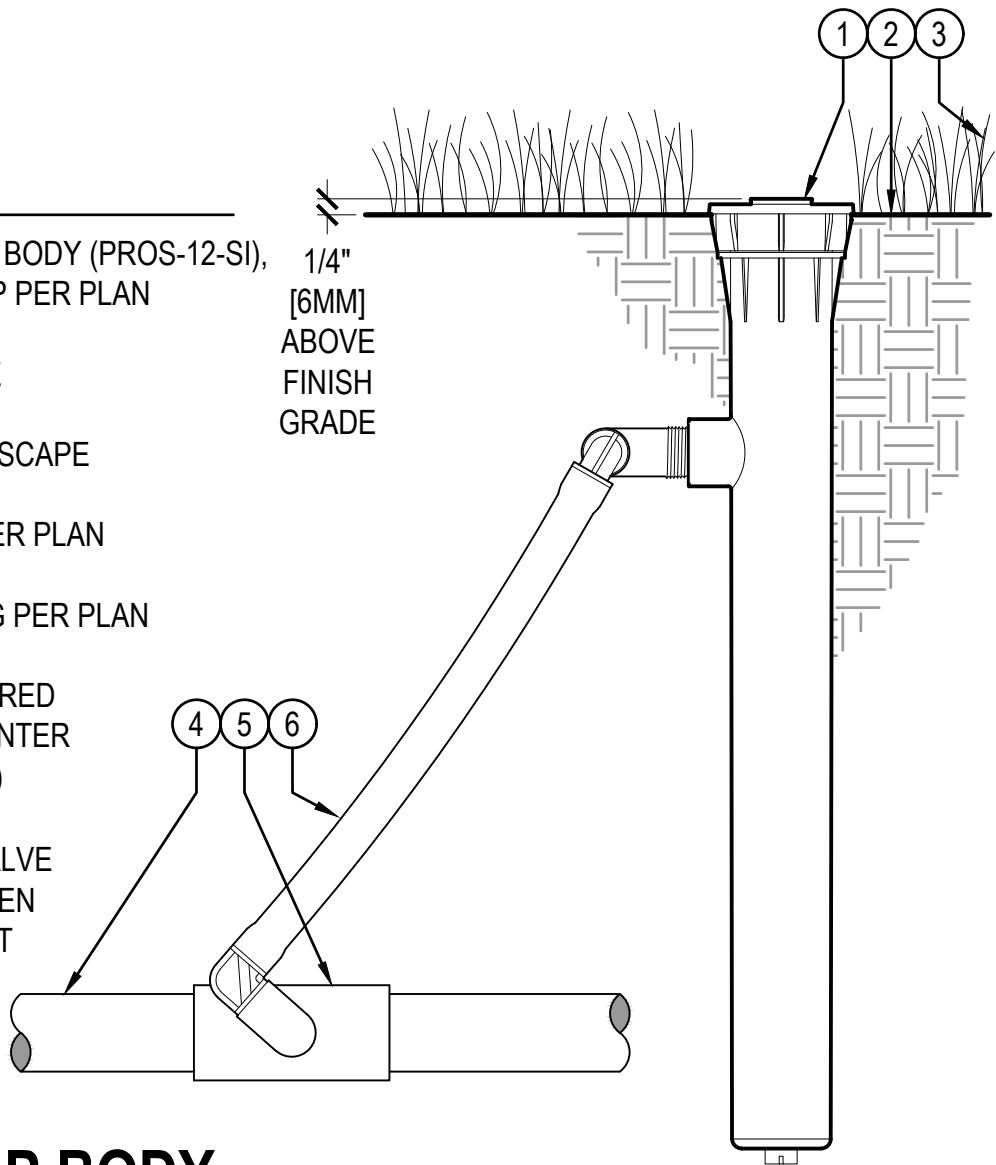


## LEGEND

- ① HUNTER POP-UP BODY (PROS-12-SI), NOZZLE AND CAP PER PLAN
- ② FINISHED GRADE
- ③ ADJACENT LANDSCAPE
- ④ LATERAL PIPE PER PLAN
- ⑤ LATERAL FITTING PER PLAN
- ⑥ PREMANUFACTURED SWING ARM (HUNTER SJ OR PER PLAN)

NOTE: CHECK VALVE INOPERABLE WHEN USING SIDE INLET



## POP-UP BODY (PROS-12-SI) WITH SWING ARM (SJ)

