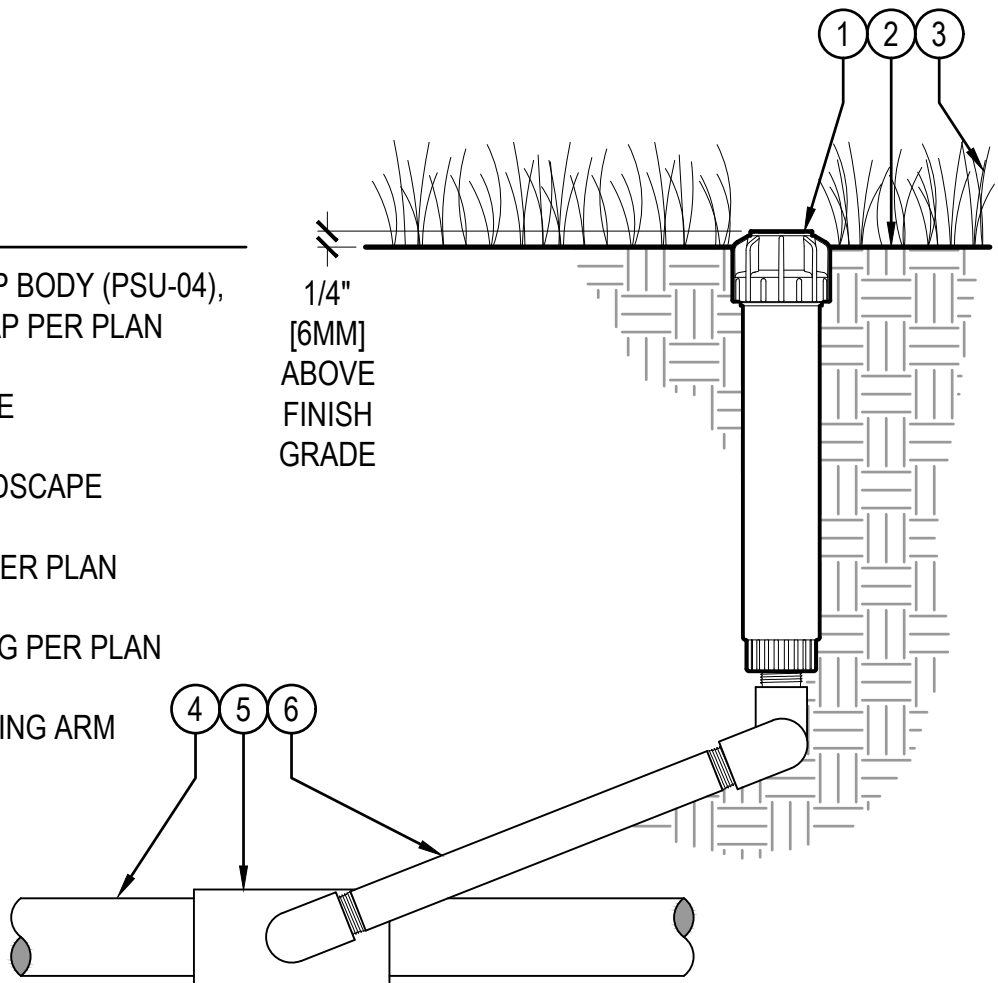


## LEGEND

- ① HUNTER POP-UP BODY (PSU-04), NOZZLE AND CAP PER PLAN
- ② FINISHED GRADE
- ③ ADJACENT LANDSCAPE
- ④ LATERAL PIPE PER PLAN
- ⑤ LATERAL FITTING PER PLAN
- ⑥ FIELD-BUILT SWING ARM



## POP-UP BODY (PSU-04) WITH SWING ARM

