

MP STAKE INSTALLATION INSTRUCTIONS

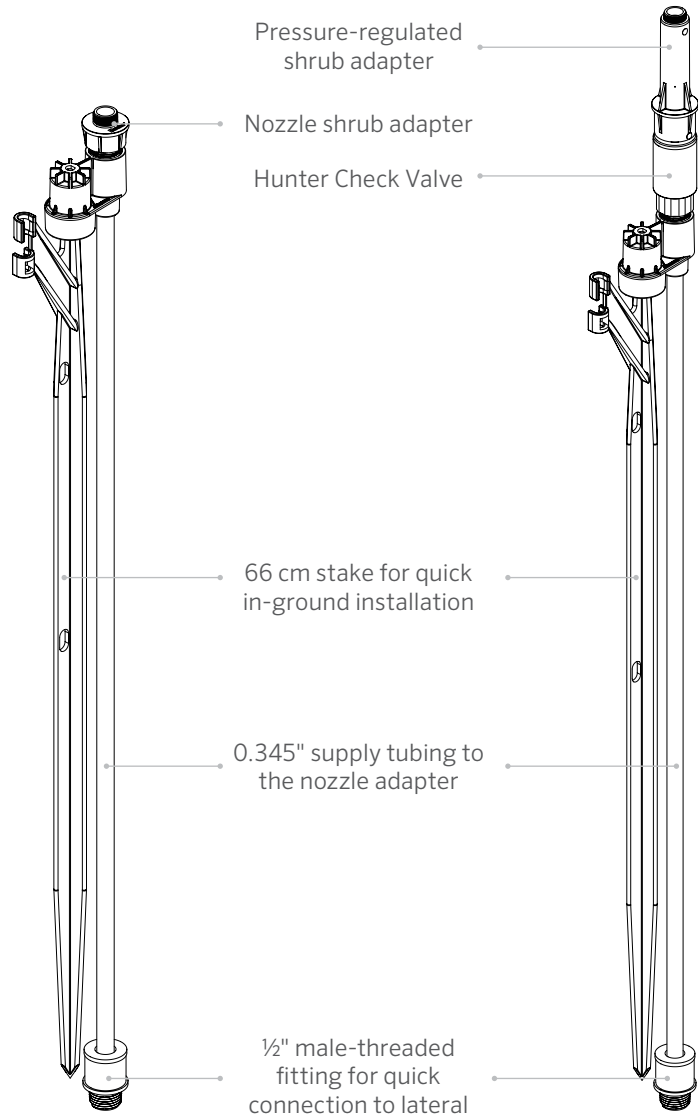
COMPONENTS

MP-STAKE

Total height: 71 cm

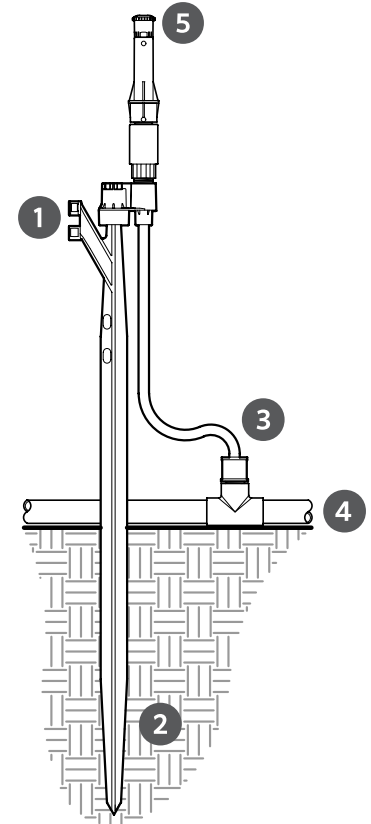
MP-STAKE-PRS40-CV

Total height: 86 cm



INSTALLATION

- 1 Determine a layout of the desired nozzles based on head-to-head coverage. Lay laterals accordingly.
- 2 Hammer the stake into the ground until secure (recommended depth: 30 cm). If necessary, drill a pilot hole for tougher soils.
- 3 Install a 1/2" female-threaded fitting to the 1/2" male-threaded fitting on the MP Stake supply tubing.
- 4 Install the fitting to the lateral either parallel or perpendicular to grade.
- 5 Flush the line and install the desired nozzle.



OPERATING SPECIFICATIONS

Operating pressure range: 2.1 to 4.8 bar (210 to 480 kPa)

