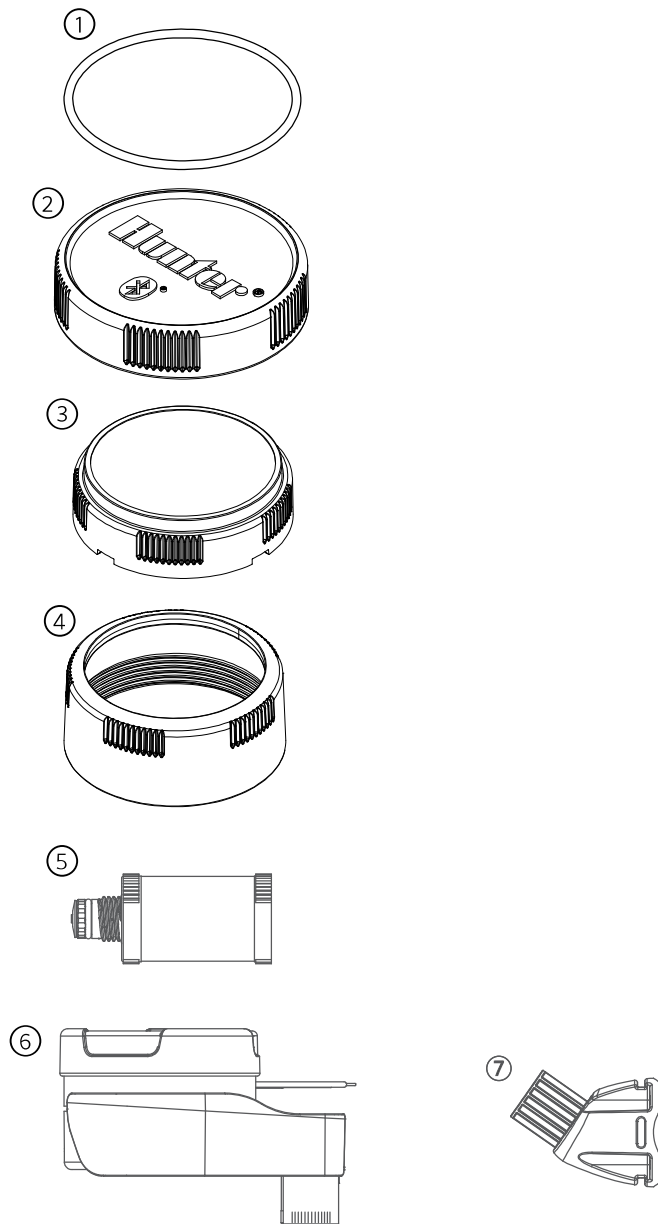


NODE-BT: BLUETOOTH® BATTERY-POWERED CONTROLLER

ITEM	DESCRIPTION	CATALOG NO.
1	O-Ring	966600SP
2	Rubber Cover	967200SP
3	Endcap Battery Cover	966800SP
4	Endcap Battery Ring	967100SP
5	DC-Latching Solenoid	458200
6	Tray Holder	881600
7	Mounting Adapter	951500



The Bluetooth® word mark and logos are registered trademarks owned by Bluetooth SIG Inc. and any use of such marks by Hunter Industries is under license.